



AVM511



HD 1080P



3-Axis



External I/O



PoE



Mobile Surveillance

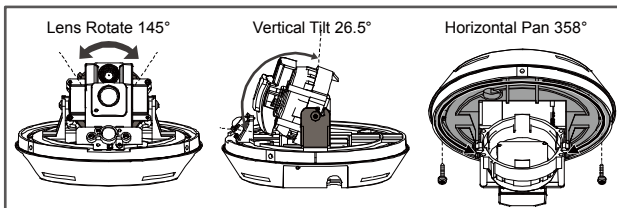


IK08 (lens cover)

2MP Vandal-Proof IP Camera

FEATURES

- **POE (Power-over-Ethernet)** support to eliminate the use of power cables and reduce installation costs
- **3-axis** mechanism for flexible ceiling and wall-mount installation



- **External alarm I/O device** connection



- **ONVIF** (**ONVIFS**) standard supported to simplify system integration
- **WDR** to increase image recognizability in overexposure and dark areas
- **IK08** rated, vandal-proof lens cover
- **Remote Surveillance**
 - **Fully compatible** with **iOS** and **Android** devices, and **Internet Explorer** on Windows operating system
 - **Push Video** available on your iOS and Android devices when used with Push Video NVR series.

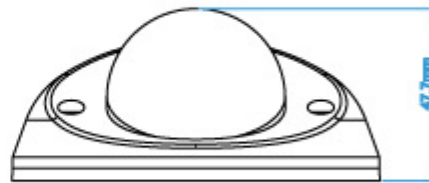
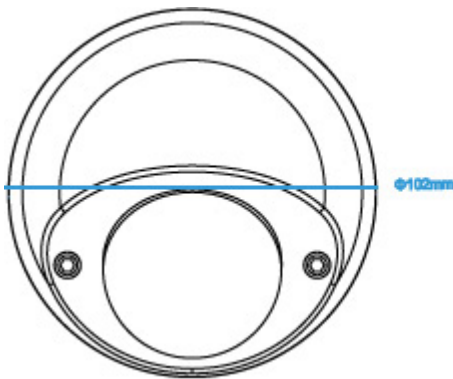


● SPECIFICATIONS (CONTINUED)

| ■ Others | |
|-----------------------------------|---|
| Mobile Surveillance | iOS & Android mobile devices |
| Motion Detection | YES |
| Event Notification | FTP / Email / SMS |
| 3-Axis | YES |
| RTC (real-time clock) | YES |
| Digital Pan / Tilt / Zoom | YES |
| Minimum Web Browsing Requirements | <ul style="list-style-type: none"> • Intel core i3 or higher, or equivalent AMD • 2GB RAM • AGP graphics card, Direct Draw, 32MB RAM • Windows 8, Windows 7, Windows Vista & Windows XP, DirectX 9.0 or later • Internet Explorer 7.x or later |

*The specifications are subject to change without notice.

● DIMENSIONS



** Dimensional tolerance: ± 5 mm